

WYRESTORM HDMI EXTENDER SET WITH IR (40M/131FT)

EX-1UTP-IR-40



KEY FEATURES

- Transmits a wide-band one-way IR control signal together with the HDMI signal over a single Cat5e/6/7 cable.
- Receivers capable of 1080p transmissions up to 40m (131ft) under perfect conditions.
- Automatically adjusts feedback, equalization and amplification of signal for easy installation.
- For even greater control and fine tuning, each receiver features a fully adjustable EQ distance range for optimising the transmission signal.
- Protection against ESD (electrostatic discharge) included within the unit to further stabilise transmission.

Designed with the typical requirements of today's installation projects in mind, the EX-1UTP-IR-40 is a highly adaptable single-cable point to point HD extender set capable of 1080p transmissions up to 40m (131ft) under ideal conditions with wide-band IR control of source devices from remote locations.

For even greater control and compatibility, the Transmitter features a fully adjustable EQ EDID DIP settings to encourage communication between the connected devices, while an EQ Distance Range selector on the Receiver allows the transmission signal to be optimised specifically by distance. Both EQ switches offer fully customisable settings to fine-tune your distribution through the baluns.

ADDITIONAL FEATURES & BENEFITS

- Power baluns by 5v mains adapter or with the 5v USB power cable (both included) to solve space or power availability problems as well as being more energy efficient as the extenders are only powered when connected devices are turned on.
- EDID DIP switch on Transmitter to encourage EDID communication between sources and displays in the event of signal transmission difficulties.
- Fully cascable to further lengthen transmission.
- DISTANCE ADJUSTMENT on Receiver balun can be further fine-tuned depending on the length of Cat5e/6/7 cable used for optimum performance.

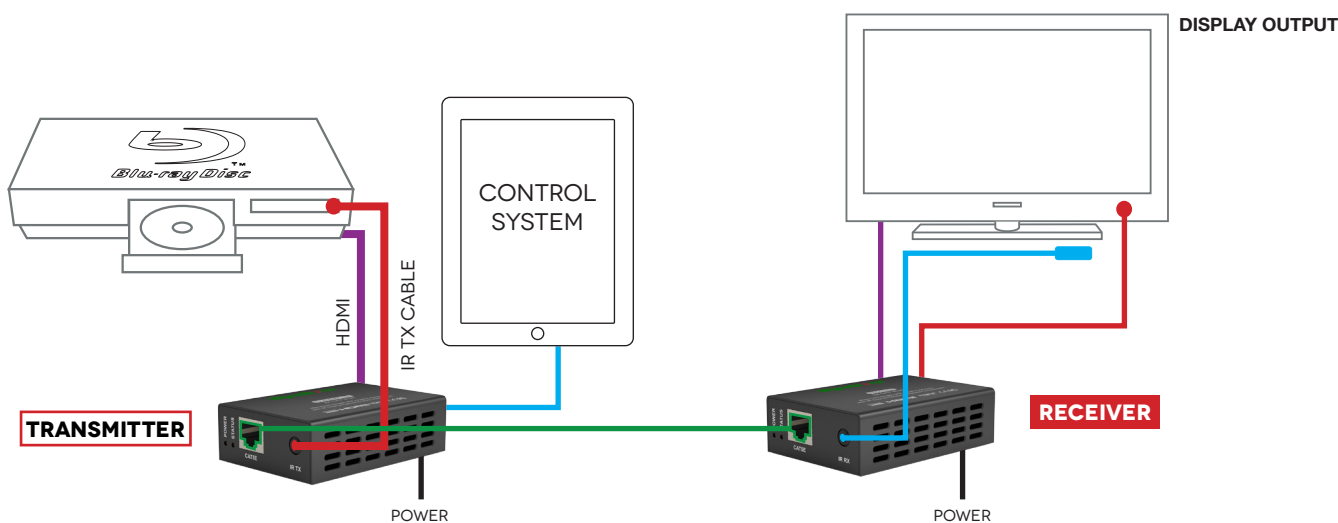
IN THE BOX

1 x Wyrestorm EX-1UTP-IR-40 Transmitter balun
1 x Wyrestorm EX-1UTP-IR-40 Receiver balun
1 x Printed quickstart installation guide (also downloadable from website)
2 x pairs of balun mounting brackets

2 x 5VDC power supply P/N_VDC0501
1 x IR TX Emitter (small/round) for attachment to Input device
1 x IR RX Receiver (larger/rectangular) for attachment to Display -
IR frequency range: 940nm IR Frequency: 38KHZ
2 x USB to 5V power adapters P/N: CAB-USB-5V70

SPECIFICATIONS

Dimensions (WxHxD):	60mm x 26mm x 86mm / 2.3" x 1" x 3.3"
Weight:	0.34kg / 0.75lb (pair)
Operating Temperature Range:	-5 to +35°C (-23 to +95°F)
Operating Humidity Range:	5 to 90 % RH (no condensation)
Output Bandwidth Signalling Rate:	6.75Gbps
Input Video Signal:	0.5-1.0 volts p-p
Input DDC Signal:	5 volts p-p (TTL)
Maximum Single Link Range:	1080p 24bit Colour Depth
Transmission Distance:	1080p up to 40m / 131ft (Under perfect transmission conditions including straight cable runs with no electrical interference, bends, kinks, patch panels or wall outlets.)
Video Format Supported:	VESA: 640x480, 800x600, 1024x768, 1280x1024, 1600x1200, 1920x1200, 1920x1080 DTV/HDTV: 480i/576i/480p/576p/720p/1080i/1080p
Output Video:	HDMI v1.3 + HDCP (mirrors the input source to the output display)
Audio Format Supported:	DTS-HD Master Audio, Dolby True HD, multi-channel 5.1, 7.1, stereo
Power Supply:	5VDC - from mains or USB 5V power adapter
Power Consumption:	3 Watts (Max.)
British Thermal Unit (BTU):	10.23
Rack Space Required:	N/A



KEY	
	IR TX
	IR RX
	CAT 5e/6 70M/230FT
	HDMI
	RS232